

# Technical data sheet



## Product features

### Slicer, blade 250 mm plain

<b>Model</b>	<b>SAP Code</b>	00020258
GSP 250	<b>A group of articles - web</b>	Cutting machines



- Blade type: Smooth
- Blade diameter [mm]: 250
- Cutting thickness [mm]: 1-14
- Transfer type: Strappy
- Material: Aluminium
- Safety cover: transparent plexiglass
- Safety element: Two buttons on off switch. safety cover
- Table position: Oblique
- On/Off button: Yes

<b>SAP Code</b>	00020258	<b>Power electric [kW]</b>	0.180
<b>Net Width [mm]</b>	410	<b>Loading</b>	230 V / 1N - 50 Hz
<b>Net Depth [mm]</b>	510	<b>Blade type</b>	Smooth
<b>Net Height [mm]</b>	390	<b>Blade diameter [mm]</b>	250
<b>Net Weight [kg]</b>	13.50	<b>Cutting thickness [mm]</b>	1-14

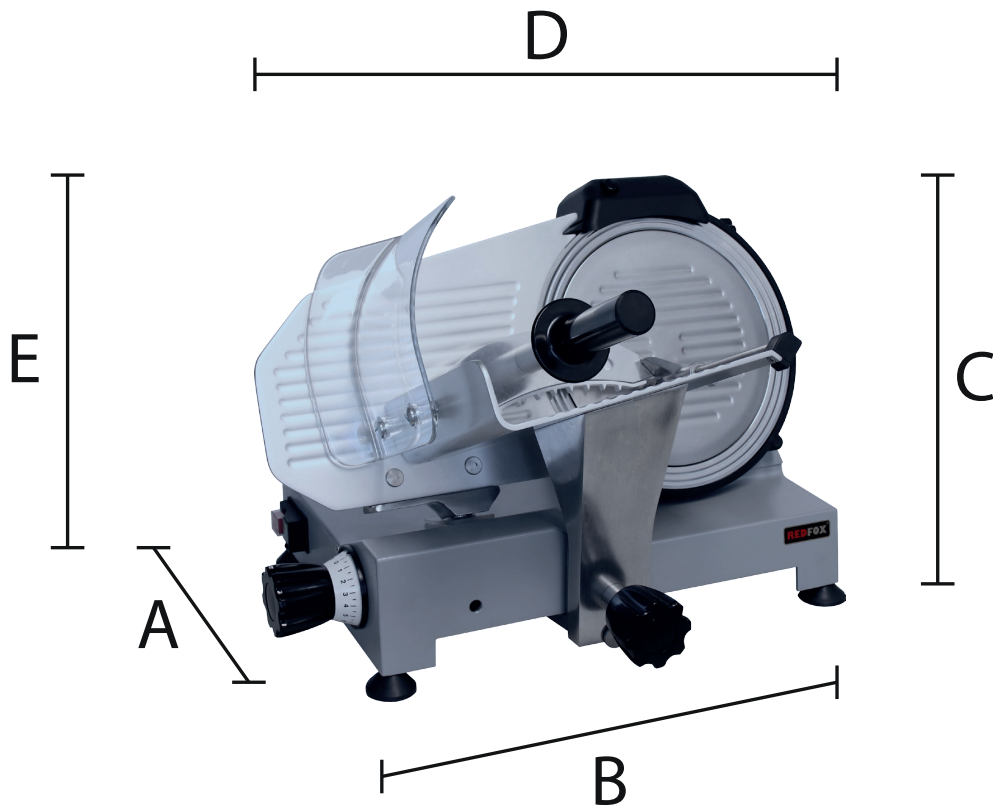
# Technical data sheet



Technical drawing

Slicer, blade 250 mm plain

<b>Model</b>	<b>SAP Code</b>	00020258
GSP 250	<b>A group of articles - web</b>	Cutting machines



Model	Rozměry (cm)	Váha (kg)	Elektrické připojení
<b>GSP 250</b>	30 x 44 x 41 x 51 x 39	13,5	230 x 50 x 1
<b>GSP 275</b>	30 x 44 x 41 x 53 x 42	14,2	230 x 50 x 1
<b>GSP 300</b>	30 x 44 x 41 x 55 x 42	16	230 x 50 x 1
<b>GSP 300 XL</b>	33 x 48 x 47 x 57 x 47	23	230 x 50 x 1

# Technical data sheet



## Product benefits

### Slicer, blade 250 mm plain

<b>Model</b>	<b>SAP Code</b>	00020258
GSP 250	<b>A group of articles - web</b>	Cutting machines

- 1** | **The slicer is built with polished cast aluminum.**  
strength, high corrosion resistance, thermal conductivity
- 2** | **Very sturdy and easy to use and clean with little maintenance.**  
easy to use and clean
- 3** | **Excellent for cutting meats, vegetables and cheeses.**  
variability of use for different foods
- 4** | **The blade is made in non sticking steel with special grooves.**  
the food does not stick, the flow of work
- 5** | **Fixed sharpening with bowl to maintain stones clean from food residues.**  
the possibility of sharpening the knife without adding a sharpener
- 6** | **Sliding carriage on teflon bushings with an heavy duty food holder with removable nails for easy cleaning.**  
fluidity of work, easy cleaning
- 7** | **Removing carriage with block sail according to security rules.**  
the food cart can be removed
- 8** | **Strong fan silenced professional motor.**  
lower noise
- 9** | **Two buttons on off switch.**  
safety feature
- 10** | **The slicer was designed and manufactured according to international standards for safety, hygiene and food contact.**  
meets strict safety and hygiene standards
- 11** | **Slicing thickness 0-14 mm.**  
variability of the thickness of the sliced product
- 12** | **According to the CE rules professional use.**  
use in highly specialized and professional operations

# Technical data sheet



## Technical parameters

### Slicer, blade 250 mm plain

**Model**

GSP 250

**SAP Code**

00020258

**A group of articles - web**

Cutting machines

**1. SAP Code:**

00020258

**2. Net Width [mm]:**

410

**3. Net Depth [mm]:**

510

**4. Net Height [mm]:**

390

**5. Net Weight [kg]:**

13.50

**6. Gross Width [mm]:**

500

**7. Gross depth [mm]:**

400

**8. Gross Height [mm]:**

580

**9. Gross Weight [kg]:**

16.50

**10. Device type:**

Electric unit

**11. Material:**

Aluminium

**12. Exterior color of the device:**

Grey

**13. Power electric [kW]:**

0.180

**14. Loading:**

230 V / 1N - 50 Hz

**15. Control type:**

Electric

**16. Safety cover:**

transparent plexiglass

**17. Safety element:**

Two buttons on off switch.  
safety cover

**18. Engine protection:**

ventilator

**19. Main switch:**

Yes

**20. Transfer type:**

Strappy

**21. Standard equipment for device:**

whetstone

**22. Additional information:**

Noise N. 62 DB

**23. Blade type:**

Smooth

**24. Blade diameter [mm]:**

250

**25. On/Off button:**

Yes

**26. Removable moving table:**

Yes

**27. Anti-adhesive blade treatment:**

Yes

**28. Table position:**

Oblique

# Technical data sheet



Technical parameters

<b>Slicer, blade 250 mm plain</b>		
<b>Model</b>	<b>SAP Code</b>	00020258
GSP 250	<b>A group of articles - web</b>	Cutting machines

**29. Blade cover material:**

Plastic

**31. Cutting thickness [mm]:**

1-14

**30. Sharpening device:**

Integrated

**32. Cross-section of conductors CU [mm<sup>2</sup>]:**

0,5